

Non-Vacuum Pug MILL

Instruction Manual

NRA-04

NRA-04S

Please make sure to read the entire instruction manual thoroughly before initial set-up, operation, maintenance and inspection to ensure proper use.

Please keep this instruction manual in a location that is always available to the user.

NIDEC-SHIMPO CORPORATION

Contents

| | |
|---------------------------------|---|
| Specifications | 4 |
| List of Contents..... | 4 |
| Installation Instructions | 5 |
| Operating Instructions..... | 6 |
| Maintenance Instructions | 7 |
| Warranty Provisions..... | 9 |
| Disposal Method..... | 9 |

Safety Precautions

Please be sure to closely follow all safety precautions and warnings.

Please be sure to read the entire instruction manual thoroughly before initial set-up, operation, maintenance and inspection and use.

Please start using only after you have read the equipment's function, safety information and precautions.

This instruction manual provides three grades of safety warnings: "Danger", "Warning" and "Caution". All important safety concerns are described. Please be sure to follow them.



Danger marking indicates possible death, severe injury or fire if the user disregards the warning.



Warning marking indicates the possibility of severe injury if the user does not follow the instruction.



Caution marking indicates the possibility of minor injury or damage if the user operates the pug mill improperly. However, depending on the circumstances, it is still possible to cause severe injury. Please make sure to pay close attention to these warnings.

We call your attention to these warnings throughout the manual using the following symbols:



Warning; Pay Close Attention



Do Not



Please Follow Instructions



DANGER

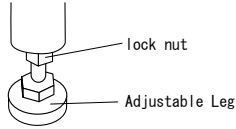
Installation

These are safety precautions regarding with installation of the pug mill.



Place the pug mill on a flat, horizontal surface.

Please make sure to place the unit on a horizontal surface since bumps and slopes may cause vibration and noise. Please make sure to tighten the lock nut on the adjustable leg after adjusting the height



Be careful with handling since this product is heavy.

Please handle the pug mill with extreme care since serious injury can occur if the unit should fall on hands or feet.



Do not set up in a location that is susceptible to rain and water or an area of high moisture.

This may cause a fire or failure from electrical shock or electrical leakage.



Do not overload the electrical outlet.

Check the amperage rating of the outlet and of any other equipment that may be on the same circuit. A fire could result from overloading the circuit.

OPERATION

These are safety precautions regarding with operation of the pug mill.



Do not let anyone operate the pug mill without proper instructions and supervision.

Please assign a specific person to supervise the use of the pug mill in a facility where many people may operate the unit. Make especially sure not to let children operate the pug mill.



Do not insert hands.

Please do not insert hands into the clay hopper or clay nozzle. Serious injury could occur.



Be careful of clothing.

Loose fitting ties, aprons and other clothing may hang into the clay hopper or clay nozzle and become entangled in the internal moving parts causing serious injury.



Secure long hair away from the pug mill.

Serious injury may occur if a person's hair becomes entangled in the internal moving parts.



Do not operate any switches with wet hands.

This may cause an electrical shock if you operate switches or plug / unplug the power cord into the power outlet.



Please turn the power switch off if you will not be using the pug mill for an extended period of time.

If you will not be using the pug mill for a long period of time please switch the power off and unplug the power cord from the outlet to prevent damage from a possible power surge such as a lightning strike.

MAINTENANCE

These are safety precautions regarding the maintenance of the pug mill.



Switch the power off before doing any inspection. Unplug the power cord.

Please make sure to switch the power off and unplug the power cord from the outlet before doing any cleaning, inspection, adjustment, or moving the pug mill.



Unplug the power cord carefully by pulling on the power plug, not the power cord.

Do not pull on the cord when you unplug the power cord.

This may cause damage to the cord and/or plug which could result in a fire created by an electric short or injury from an electrical shock.



Do not use damaged power cord.

Please do not use damaged power cord, damaged plug or worn power outlet. It may cause a fire due to an electrical shock or electrical short.



Do not pour water on the pug mill to clean it.

Please do not pour water on the pug mill to clean it. This may cause an electric short or damage to the pug mill. Clean off the pug mill with a damp cloth. The clay hopper, screw case, and nozzle are washable only after disassembly.

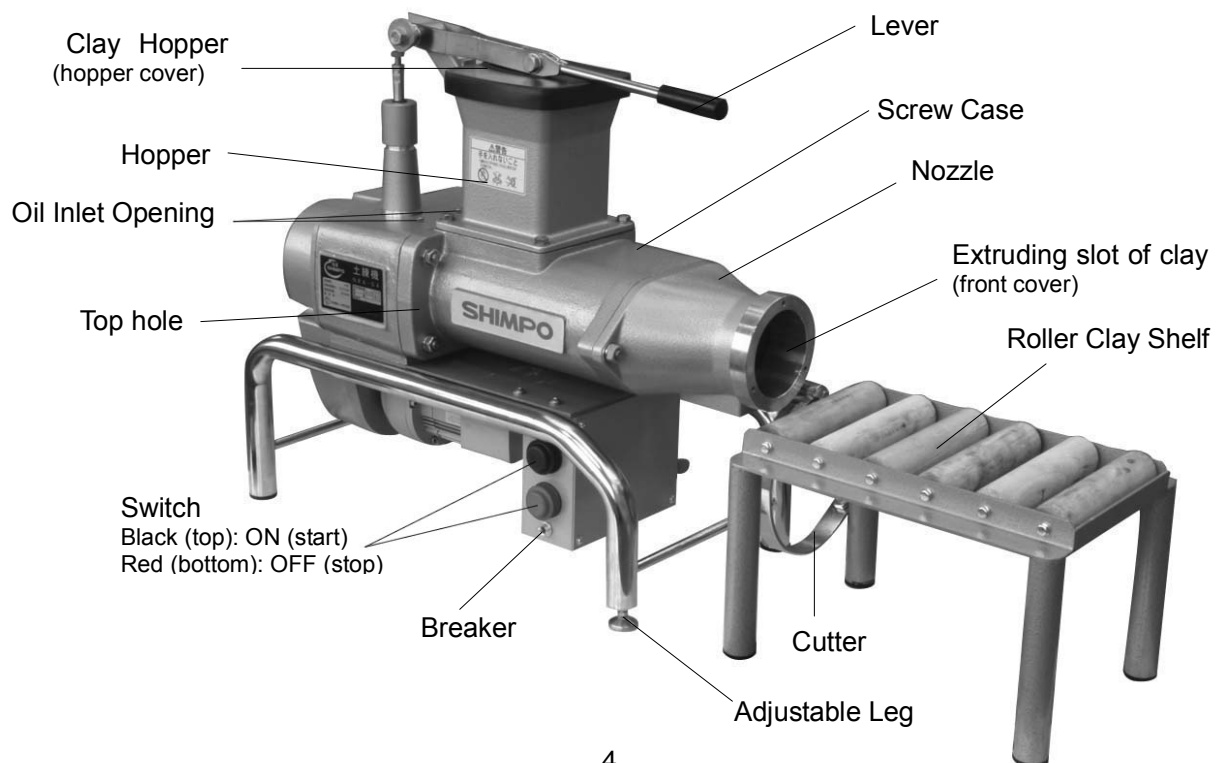
SPECIFICATIONS

| | NRA-04 | NRA-04S |
|---------------------|--|-----------------|
| Dimensions | 665(1,025 including clay roller shelf)×335×560 Height mm | |
| Weight | 65kg | 75kg |
| Screw Rotation | 19rpm/50Hz | |
| Motor | 200W 4P Single Phase 230V | |
| Extruding Capacity | 400kg/hour | |
| Structure | Two Screws | |
| Screw Material | Stainless Steel | |
| Screw Case Material | Aluminum | Stainless Steel |
| Extruding Diameter | Dia.90mm | |

List of Contents

| Description | Quantity | Reference |
|--------------------|----------|-----------------------------------|
| Drive Housing | 1 | |
| Clay Roller Shelf | 1 | |
| Hopper Cover | 1 | Cover for Clay Hopper |
| Front Cover | 1 | Cover for Nozzle Opening |
| Wrench | 1 | 17×13mm |
| Double-head Wrench | 1 each | 17×13mm 13×10mm |
| Allen Wrench | 1 | 2.5mm Width |
| Bolt | 2 | M10 × 25mm for screw case removal |
| Instruction Manual | 1 | |
| Warranty Card | 1 | |

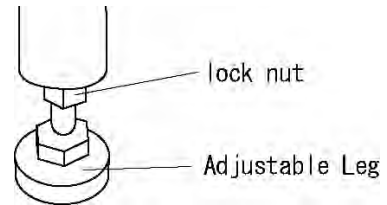
■ Pug Mill Diagram



INSTALLATION

■ Installation

1. Remove the front cover and hopper cover.
2. Place the roller clay shelf in front of the nozzle.
3. Loosen lock nut on adjustable leg.
4. Set the adjustable leg level the pug mill and allow all four feet on frame to touch the surface.



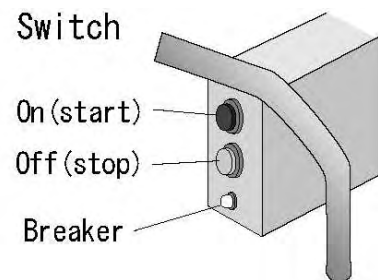
OPERATION

■ Operation

Precautions

- *Do not operate any switches with wet hands.
- *Do not insert your hands into any opening on the pug mill.
- *The breakers may shut down by overloading if you forcibly operate the lever.
(Operation of breaker, refer to P.8)
- *In the event that dry clay remains in the clay hopper, please remove the nozzle and clean the internal parts. (Disassembly procedure, refer to P.7)
- *Please do not put a chunk of dry clay or clay refuse into the clay hopper.
- *Before placing clay into the hopper clay, please be sure to add water into the clay in order to put it in the condition that you can knead by hands. Otherwise, screw may stop and clay may not mix well.

1. Switch the power on.
2. Pull the lever up (screws stop). Place clay into the clay hopper in small amounts.
3. Pull the lever down (screws rotate).
4. When the lever is all the way down it can be lifted back up to place more clay in the clay hopper. Continue with this process until you have processed all of your clay.
5. Switch the power off when you are finished processing clay.
6. Pull the lever down.
7. Unplug the power cord from the outlet.



■ After Operation

1. Pull the lever down and install the hopper cover over the clay hopper.
2. Install the front cover over the end of the pug mill nozzle.

Precautions

- *In the event that you leave clay in main body for a long period of time. Never operate the pug mill with dry clay remaining in the main body.
- *When total cleaning of the pug mill is desired clean the internal parts of the main body by following the disassembly procedure (disassembly method, refer to P.7).
- * Please do not leave clay in main body for a long period of time. Just in case dry clay remains in Drive housing, do not operate the pug mill in such a condition. Please disassemble the pug mill and remove the clay. (Disassembly method, refer to P.7)

MAINTENANCE

■ Cleaning

*When total cleaning of the pug mill is desired clean the internal parts of the main body by following the disassembly procedure (disassembly procedure, refer to P.7).

□ Disassembly Procedure

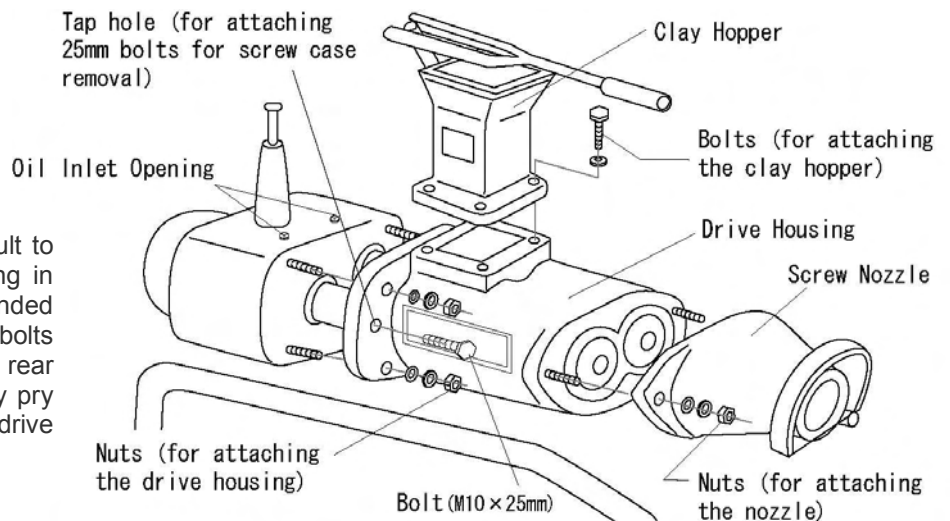
1. Switch the power off.
2. Unplug the power cord from the outlet.
3. Remove the hopper cover and front cover.
4. Remove two nuts that secure the nozzle to the screw case using the wrench supplied. Then remove the nozzle from screw case.
5. Remove the four bolts that secure the clay hopper to the screw case using the wrench supplied.
6. Remove screw case by detaching four nuts that secure the screw case to the drive housing using the wrench supplied.

Precautions

Rinse each of the disassembled parts with water and dry them well.
Do not disassemble parts which are not described, since this may cause the pug mill to fail and will void the warranty.

Disassembly Diagram

In the event that it is difficult to remove hard clay remaining in screw case for an extended period thread the 25mm bolts into the tapped holes at the rear of the screw case to gently pry the screw case from the drive housing.



■ Oil Inlet Opening

*Lubrication

In the event that operating noise becomes larger or the pug mill are used for a long period of time (about 50 hours), please remove the screw of oil inlet opening and inject a few drops of the mechanical oil once by month.

Precautions

- *Fuel oil or grease is not suitable for lubrication.
- *Please do not inject unknown substances or water into the oil inlet opening.

□ Assembly Procedure

1. Install screw case onto the drive housing and tighten with nuts for attaching the screw case.
2. Install hopper onto the screw case and tighten with bolts for attaching the clay hopper.
3. Install nozzle onto the screw case and tighten with nuts for attaching the nozzle.
4. Pull the lever down, plug the power cord into the outlet, and switch the power on. Check for unusual sounds. Recheck assembly if necessary.

■ Trial Operation

1. Plug the power cord into the outlet.
2. Do not set anything into the clay hopper, pull the lever down, switch the power on, and then allow the unit to run for a short time.
3. Check if the pug mill has any vibration, rattles, or unusual sounds. (If none then proceed to the section on operation.)
4. Switch the power off and unplug the unit.
5. Make adjustments to level and position the pug mill.
6. Return to step one.

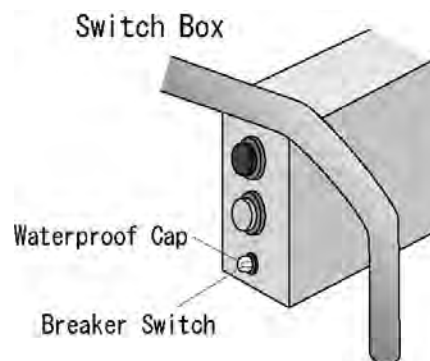
Precautions

- *Do not operate any switches with wet hands.
- *Do not insert your hands into any pug mill opening.

■ Operation of Breaker

The breakers will not shut off under normal use. If you forcibly push a large amount of clay, or hard clay, into the clay hopper it will cause the breaker to shut off the pug mill.

In the event that the breaker shuts off the pug mill will stop. In this case press the breaker switch inward. The breaker switch is under a waterproof cap. Do not remove the waterproof cap. Press the breaker with the cap in place.



Warranty Provision

*Shimpo warrants that this product shall be free from defects in workmanship and materials under normal use and proper maintenance for the warranty period specified providing that you follow the instruction manual and information printed on the label attached to the main body.

*Conditions Not Covered Under the Warranty

*The following cases are not covered under the warranty:

- Breakdown or damage caused by misuse or alternation.
- Breakdown or damage caused by dropping the unit.
- Breakdown or damage caused by fire, earthquake, flood damage, power surges and the other natural disasters.
- Breakdown or damage caused by public pollution, gas pollution, salt damage, and unusual electric disturbances.
- Changes in apparent condition such as scratches obtained through use and storage.
- Failure to submit the warranty card.

*Please keep the warranty card in a safe place. Warranty cards will not be reissued.

*The warranty card guarantees free repair through the warranty period for repairs falling within the terms of the warranty. If you have questions about repair after the warranty period, please consult an authorized Shimpo dealer or feel free to contact Shimpo Corporation directly.

*Please become familiar with the terms and conditions of the warranty.

Disposal Method

*Please consult with local government since the disposal method for the pug mill is different in each local government.

*Please do not disassemble the pug mill when you dispose of it.

Please cut out and post these safety guidelines in a prominent place near the product.

Please make sure to read thoroughly to ensure safe and proper operation of the pug mill.

1. Assign a designated person to supervise the safe and proper use of the pug mill in facilities where the unit will be used by more than one person. Restrict the use of the pug mill to only properly trained individuals.
2. Do not insert your hands into any opening in the pug mill.
3. Switch the power off and unplug the power cord from the outlet when you clean and disassemble. Never rotate the motor while disassembling.
4. Do not wear loose fitting clothing like neckties or aprons which may get caught in the moving parts in the pug mill.
5. Secure long hair up and away from the pug mill.
6. Do not let children operate the pug mill.
7. Do not operate any switches with wet hands.

Product by

NIDEC-SHIMPO CORPORATION

1 Terada, Kohtari, Nagaokakyo-city, Kyoto, Japan

Phone : ++81-75-958-3608 Fax : ++81-75-958-3647